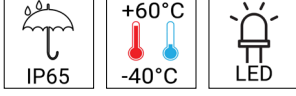


## Traffic Lights

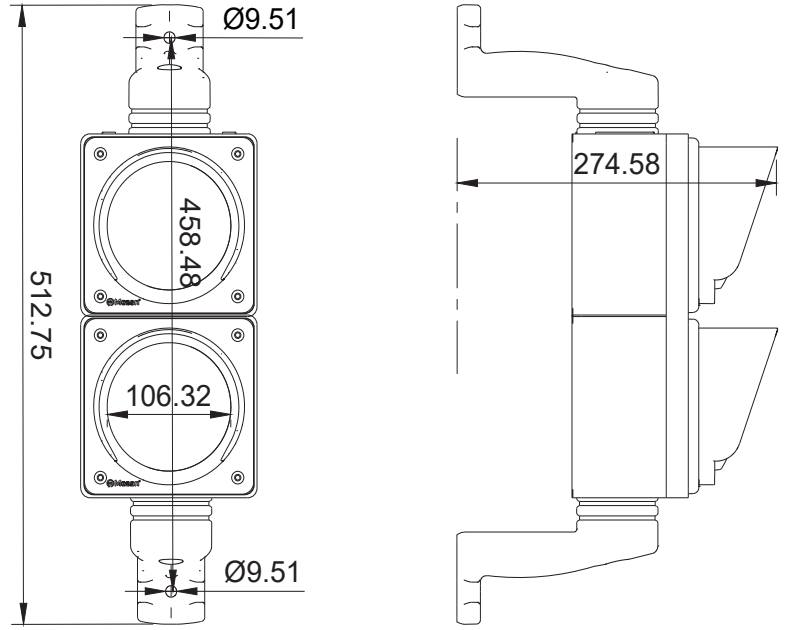
# MS 8031 Ø100 2 Tiers Power LED Traffic Light



### FEATURES

- High-quality housings to match the optical system
- High compatibility and wide range of uses
- Safety, long service life
- Low power consumption
- Fresnel lens for optimum light distribution
- Durable and weatherproof design
- **Tested and approved according to EN 12368, EN 12368 certificate available**

### DRAWINGS



### SPECIFICATION

<b>Voltage range</b>	110-220VAC	24VDC
<b>Base Color</b>	Black	
<b>Working Mode</b>	Permanent / flash / strobe modes	
<b>Materials</b>	Lens PC Body ABS	
<b>Protection Rate</b>	IP65	
<b>Colors</b>	red, green	
<b>Lens Diameter</b>	100mm	
<b>Dimensions</b>	151,6x 274,5 x 512,7mm	

### Kablo Renkleri / Cable Colors

Kahverengi / Brown  
Mavi / Blue

### Lamba Rengi / Light Colors

Kırmızı / Red  
Yeşil / Green

### HOW TO ORDER

MS 8031 . 1.2 . 110-220VAC  
 [MODEL] [VOLTAGE]  
 110-220VAC  
 24VDC

Sarı-yeşil ortak  
Yellow-green COM

Sigorta  
Fuse

Besleme / Power  
Gerilimi

• In case of using AC voltage product can be wired regardless of polarity.

• In case of using DC voltage COM line is negative (-).