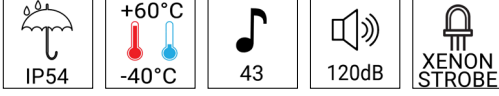
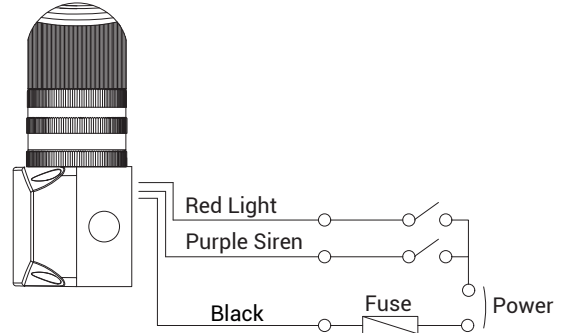
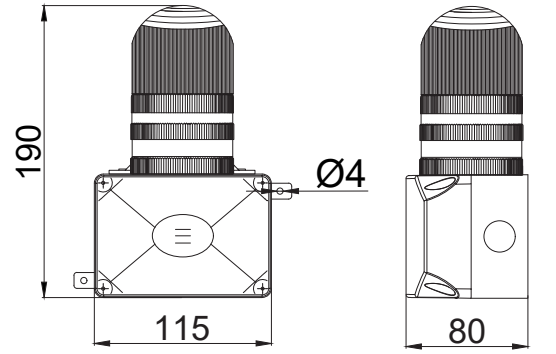


Visual and Audible Combination
MS 201 Xenon Combination with Multi Tone Siren

FEATURES

- Ø70 warning light with built-in multi tone siren
- Generates clear and distinctive sound signals
- Suitable for industrial and general use
- 43 tone electronic siren selectable via DIP switch
- Reflector with multi-tiered design provides an even and clear illumination throughout the entire lens
- In order to change the tone, unscrew 4 screws on the front cover, change red dipswitch positions

DRAWINGS


- Product can be wired regardless of polarity

SPECIFICATION

Voltage range (V)	85-260VAC		12-24VAC/DC	
Current range(MA)	Light	Siren	Light	Siren
	50-25	9-4.5	40-20	30-13
Power range(W)	4.5			
Light Intensity(mcd)	140000			
Working Mode	Single flash in 12V Double flash in 24V			
Sound Volume	120dB max at source 110dB max at 1m			
Tone	43			
Materials	Lens PC, Body-ABS			
Protection Rate	IP54			

HOW TO ORDER

MS	201	1	85 - 260VAC
	[MODEL]	[COLOR]	[VOLTAGE]
		• 1- Red	85 - 260VAC
		• 2- Green	12 - 24VAC/DC
		• 3- Yellow	
		• 4- White	
		• 5- Blue	

Scan QR code for dipswitch position and tone chart

