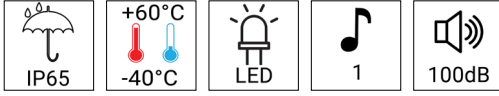
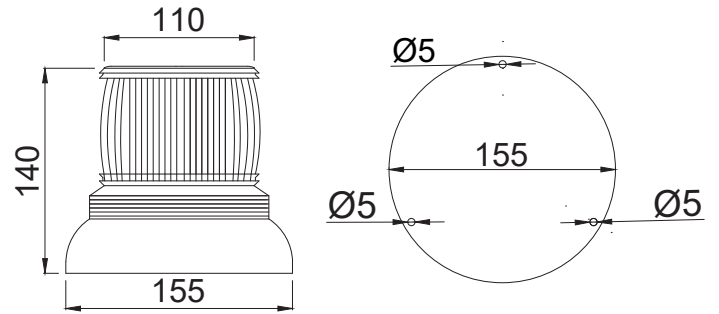


**Visual and Audible Signalling Equipments**
**MS 6608 Ø110 Rechargeable LED Beacon with Buzzer**

**FEATURES**

- Ø110mm LED Rechargeable warning beacon
- Reflector with multi-tiered design provides an even and clear illumination throughout the entire lens
- Built in Buzzer
- Magnetic Base
- On - off button

**SPECIFICATION**

Voltage range (V)	12VDC
LED Bin Code	6000-6500K
Light Intensity(MCD)	132000
Working Mode	3 flashing steady on 60FPM rotation
Tone	1
Sound Pressure	100dB
Materials	Lens PC, Body-ABS
Protection Rate	IP65

**DRAWINGS**

**ORDER DATA**

Color	Order number
Red	MS 6608.1.12VDC
Green	MS 6608.2.12VDC
Yellow	MS 6608.3.12VDC
White	MS 6608.4.12VDC
Blue	MS 6608.5.12VDC
Charge Adapter (sold separately)	
MS 3320	