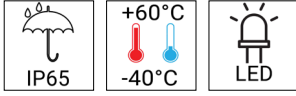
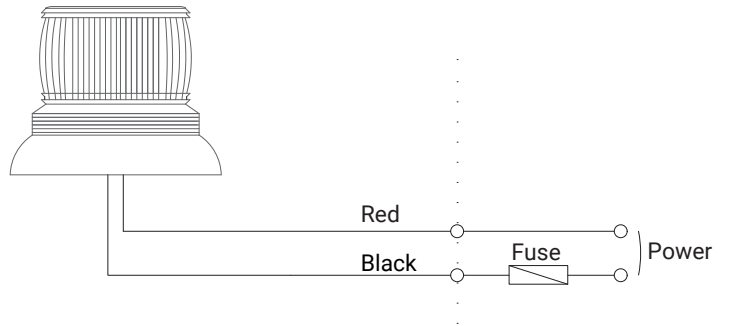
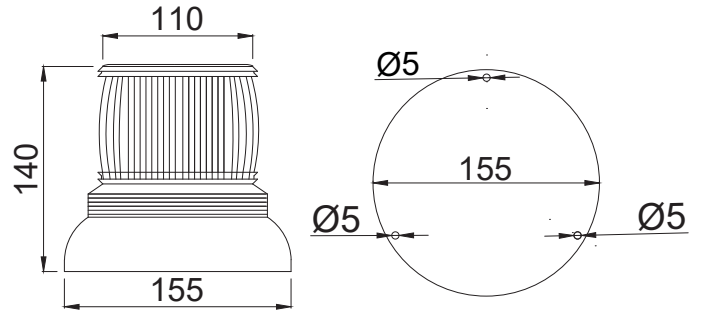


Visual Signalling Equipments
MS 655 Ø110 Multifunction LED Beacon

SPECIFICATION

Voltage range (V)	85-260VAC	12-60VAC/DC
Current range(MA)	40-20	300-60
Power range(W)	4.5	
LED Bin Code	6000-6500K	
Light Intensity(MCD)	132000	
Working Mode	3 flashing 6 flashing 10 flashing steady on 60FPM 90FPM 150FPM double flash slow rotation fast rotation random	
Materials	Lens PC, Body-ABS	
Protection Rate	IP65	

FEATURES

- Ø110mm LED warning beacon
- Reflector with multi-tiered design provides an even and clear illumination throughout the entire lens
- Easy and reliable installation
- To change light mode turn the lens counter clockwise press the white mini button while light is energised

DRAWINGS


- Product can be wired regardless of polarity.

ORDER DATA

Color	Voltage	Order number
Red	85-260VAC	MS 655.1.85-260VAC
	12-60VAC/DC	MS 655.1.12-60VAC/DC
Green	85-260VAC	MS 655.2.85-260VAC
	12-60VAC/DC	MS 655.2.12-60VAC/DC
Yellow	85-260VAC	MS 655.3.85-260VAC
	12-60VAC/DC	MS 655.3.12-60VAC/DC
White	85-260VAC	MS 655.4.85-260VAC
	12-60VAC/DC	MS 655.4.12-60VAC/DC
Blue	85-260VAC	MS 655.5.85-260VAC
	12-60VAC/DC	MS 655.5.12-60VAC/DC