

Visual and Audible Combination
MS 5811-V2 Xenon Strobe 2 Tone Electronic Siren


110-220VAC



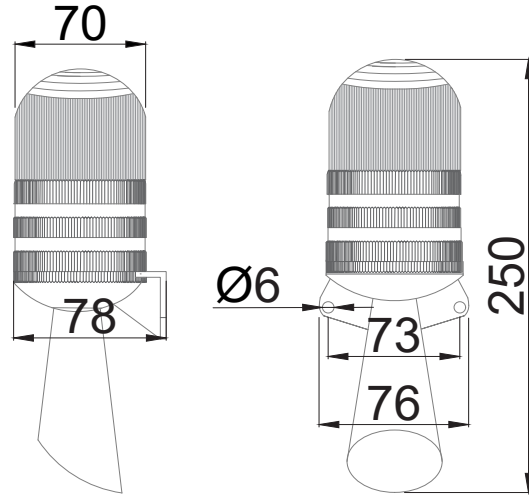
24VAC/DC

FEATURES

- Ø70mm warning light with high volume built-in buzzer in a vertical configuration
- Cone-shaped horn helps diffuse sound to generate clear and distinctive sound signals
- Suitable for applications that require downward audible signals in elevated locations
- 2 tone selectable via tiny cables
- Reflector with multi-tiered design provides an even and clear illumination throughout the entire lens

SPECIFICATION

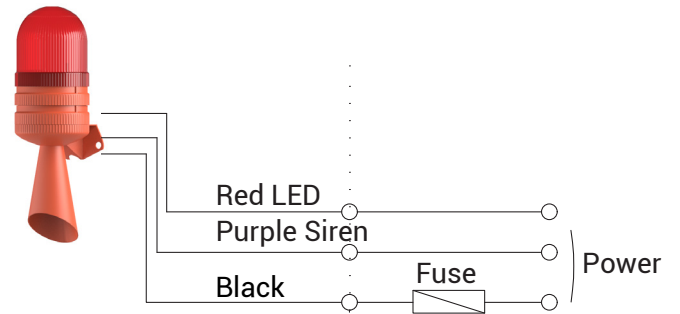
Voltage range (V)	110-220VAC	24VAC/DC
Base Color	Red	Black
Current range(MA)	30	217
Power (W)	9	
Light Source	Xenon	
Light Intensity	140000	
Working Mode	Double Flash 45fpm	
Sound Volume	120dB (max at source) 110dB at 1m	
Tone	2	
Materials	Lens PC, Body-ABS	
Protection Rate	IP65	

DRAWINGS


Change tone(no voltage)


HOW TO ORDER

MS	5811	.	1	.	110-220VAC	-2
	[MODEL]		[COLOR]		[VOLTAGE]	
			• 1- Red		110-220VAC	
			• 2- Green		24VAC/DC	
			• 3- Yellow			
			• 4- White			
			• 5- Blue			



- Product can be wired regardless of polarity