

Visual and Audible Combination

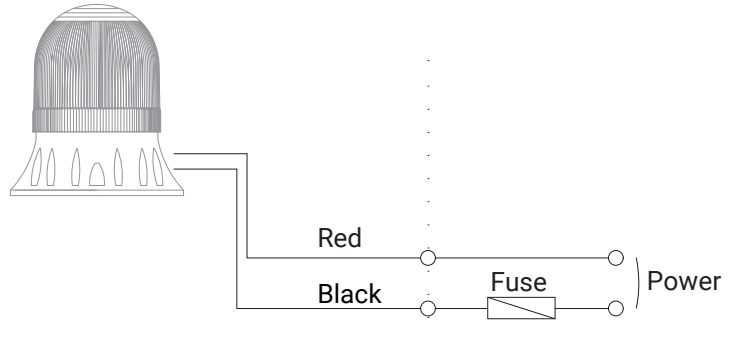
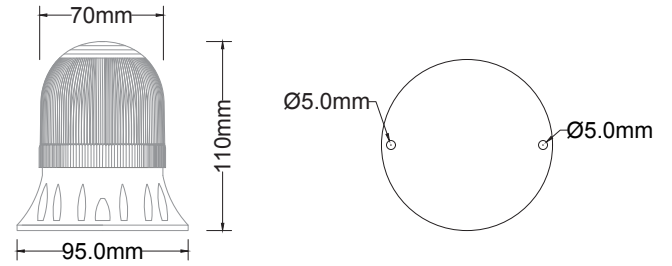
MS 472 Ø70 Multi Led Buzzer Beacon Combination



FEATURES

- Ø70mm warning light with high volume built-in pulsed tone buzzer
- Suitable for on machine applications indoor
- Volume adjustable via potentiometer
- LED reflector with multi-tiered design provides an even and clear illumination throughout the entire lens
- Selectable LED Mods for maximum configuration

DRAWINGS



- Product can be wired regardless of polarity

SPECIFICATION

Voltage range (V)	85-260VAC	12-60VAC/DC
Current range(MA)	40-20	375-75
Power range(W)	4.5	
LED Power(W)	4.8	
LED Bin Code	6000-6500K	
Light Intensity(MCD)	132000	
Working Mode	3 flashing 6 flashing 10 flashing steady on 60FPM 90FPM 150FPM double flash The slow rotation fast rotation random	
Sound Volume	100dB max at 1m adjustable via potentiometer	
Tone	1	
Materials	Lens PC, Body-ABS	
Protection Rate	IP54	

HOW TO ORDER

MESAN	472	1	85-260VAC
	[MODEL]	[COLOR]	[VOLTAGE]
		● 1- Red ● 2- Green ● 3- Yellow ○ 4- White ● 5- Blue	85-260VAC 12 - 60VAC/DC