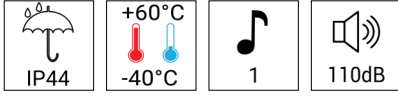


Motor Sirens

MS 290 No1 Motor Siren



SPECIFICATION

Voltage range (V)	220VAC
Current range (mA)	1,5A
Power range (W)	150W
Sound Volume	110dB at 1m
Tone	1
Materials	Aluminum Diecast
Protection Rate	IP44
Weight (KG)	3,34
Dimensions	106x175x230

Recommended duty cycle for continuous operation: On: 1 min. Off: 10 min

Product should not be used more than 2 minutes.

Installation has to be done by qualified personell.

The product has to be installed where the vibration and heat is minimum

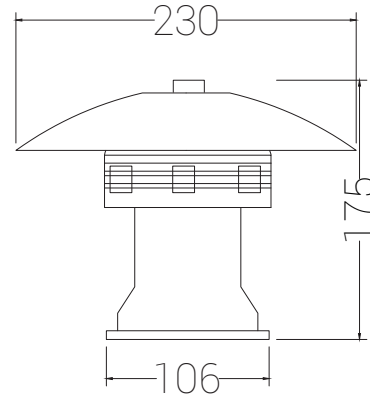
ORDER DATA

Voltage	Order number
220VAC	MS 290.220VAC

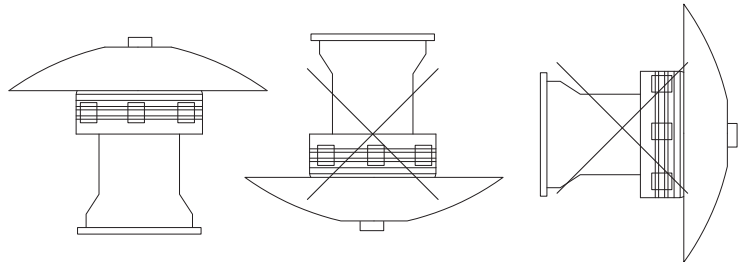
FEATURES

- Clear and distinctive sound signals
- For industrial and general applications
- Protective cap
- Aluminum Diecast Body
- Base Screw Mounting(screws not included)

DRAWINGS



MOUNTING



WIRING

