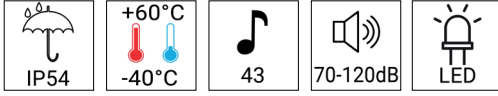


Optical and Audible Devices
MS 223 Flashing LED & Multi tone alarm sounder

SPECIFICATION

Voltage range (V)	110-220VAC	12-24VDC
Current range(mA)		
Siren (mA)	40-20	13-30
LED(each) (mA)	170	180-90
Power range(W)	1	0.72
Sound Volume	120dB (max at source) can be adjusted with potentiometer)	
Tone	43	
Materials	ABS	
Protection Rate	IP54	

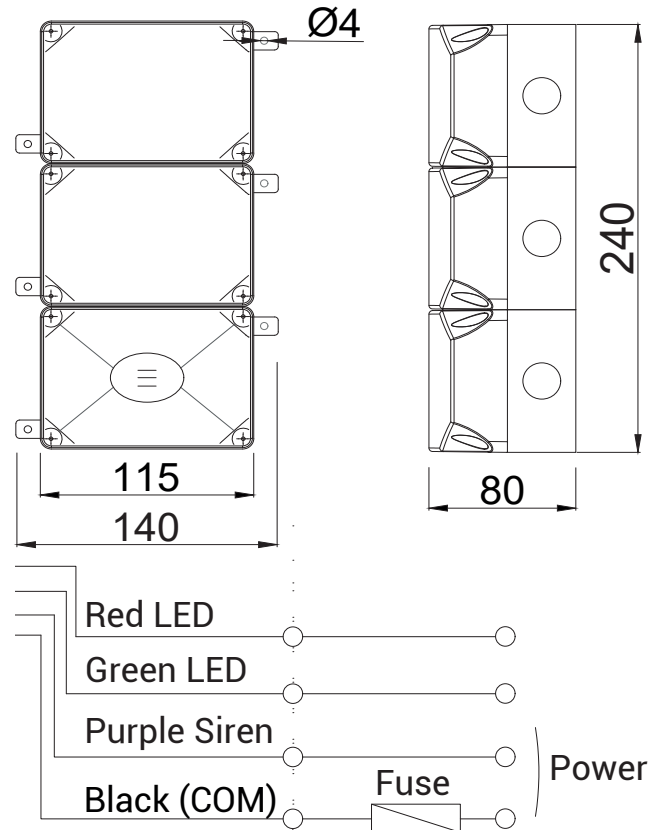
HOW TO ORDER

MS	223	1	110 - 220VAC
[MODEL]	[COLOR]	[VOLTAGE]	
	● Red	110 - 220VAC	
	● Green	12 - 24VDC	
	● Yellow		
	④ White		
	● Blue		

- In case of AC Product can be wired regardless of polarity
- In case of DC RED cables are (+) positive, black cables are (-) negative

FEATURES

- Bright LED, Flashing or permanent modes
- For industrial and general applications
- 43 tone selectable via DIP switch.
- Volume control via internal potentiometer
- Unscrew 4 screws on the front cover inside, in order to change sound change red dipswitch positions, press white button to change light modes (in some models button may be under the LED PCB)

DRAWINGS


Scan QR code for dipswitch position and tone chart

