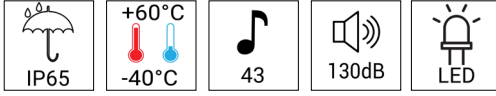


Industrial Siren

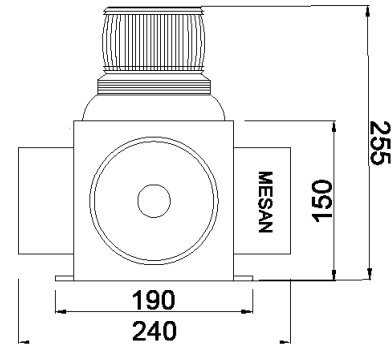
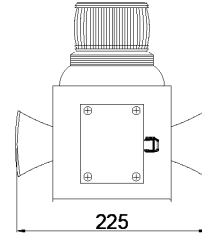
MS 1337 Warning Light Dual 43 Tone Industrial Loud Siren



FEATURES

- Multifunction LED controlled by external contact
- Dual 43 tone loud siren controlled by external contacts
- Corrosion and heat resistant body
- Aluminum Diecast housing, metal siren, PC lens
- Special junction box and PG cable gland
- Optimized fresnel lens for perfect light distribution
- Wall and base mounting
- For industrial and heavy duty applications
- Heavy industry, shipyard, iron and steel production, ship loading machines, crane application areas

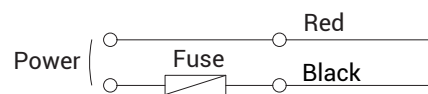
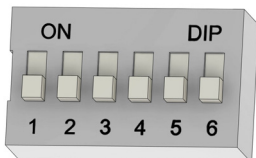
DRAWINGS



SPECIFICATION

Voltage range (V)	110-220VAC	12-60VAC/DC
Current range(mA)	240	1A
LED Modes	3 flashing 6 flashing 10 flashing steady on 60FPM 90FPM 150FPM double flash slow rotation fast rotation random	
Sound Volume	130dB at source 120dB at 1m	
Tone	43	
Materials	Aluminum Diecast	
Protection Rate	IP65	

Scan QR code for dipswitch position and tone chart



- Product can be wired regardless of polarity