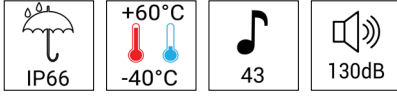


Industrial Siren

MS 1334 43 Tone Industrial Loud Siren



FEATURES

- 43 tone loud siren controlled by external contacts
- Metal branch guard for lens protection
- Corrosion and heat resistant body
- Aluminum Diecast housing, metal siren, PC lens
- Special junction box and brass PG cable gland
- Optimized fresnel lens for perfect light distribution
- Wall and base mounting
- For industrial and heavy duty applications
- Heavy industry, shipyard, iron and steel production, ship loading machines, crane application areas

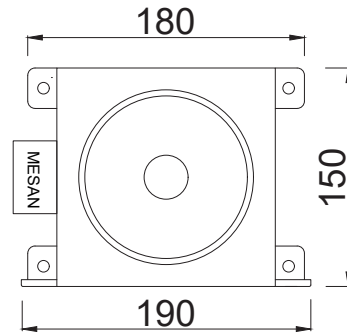
DRAWINGS

SPECIFICATION

Voltage range (V)	110-220VAC	12-60VAC/ DC
Current range(mA)	120	520
Sound Volume	130dB at source 120db at 1m	
Tone	43	
Material	Aluminum Diecast, Lens PC	
Weight	3.30KG	
Protection Rate	IP66	

ORDER DATA

Voltage	Order number
110-220VAC	MS 1334.110-220VAC
12-60VAC/DC	MS 1334.12-60VAC/DC



• Product can be wired regardless of polarity