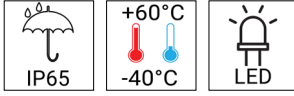


## Obstruction Lights

# MS 1326 Dual Obstruction Light



### FEATURES

- Main-standby design ensure the obstacle is always marked even one light fail.
- Bright Blinking LED 360 visibility
- 50.000h LED life time
- Shock and Vibration resistance
- PC lens, Stainless Steel Body
- Junction box and PG cable gland included for fast installation
- Optimized fresnel lens for perfect light distribution
- Base mounting
- Bird deterrent spike on top
- Built-in photocell for day/night operation
- Automatically turn on when background luminance is below 50cd/m2
- Built-in photocell for day/night operation(dusk to dawn operationd deterrent spike on top

### SPECIFICA-

Voltage range (V)	85-265VAC	15-60VDC
Current range(mA)	141-45	700-250
Power Consumption(W)	12	
Light Intensity	>32	
LED Color	RED	
Flash Rate	20-60FPM	
Materials	Lens PC, body stainless steel	
Protection Rate	IP65	

### COMPLIANCE

- ICAO Annex 14 Volume 1, Seventh edition, 2016, table 6.3
- FAA L-810

### APPLICATONS

- Could be used alone on the top of the High-rise Building, High Chimney, marking towers (Telecom, GSM, Microwave & TV), High Pole, Tower Crane, Wind Turbine

### OPTIONAL

- GPS Synchronization
- Main + Main 2 lights

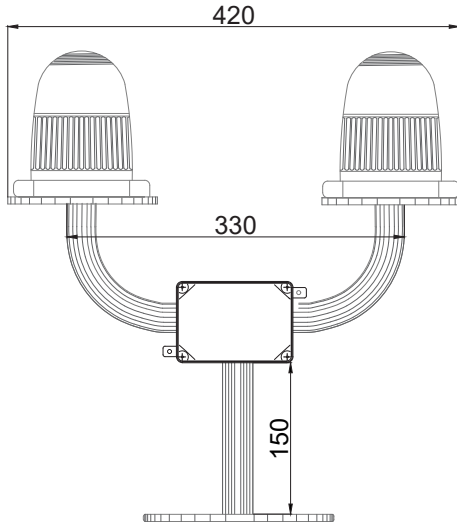
### ORDER DATA

	15-60VDC	85-265VAC
Red	MS 1326.1.15-60VDC	MS 1326.1.85-265VAC

## Obstruction Lights

# MS 1326 Dual Obstruction Light

### DRAWINGS



- In case of AC Product can be wired regardless of polarity
- In case of DC RED cables are (+) positive, black cables are (-) negative

### DIPSWITCH POSITIONS & MODES

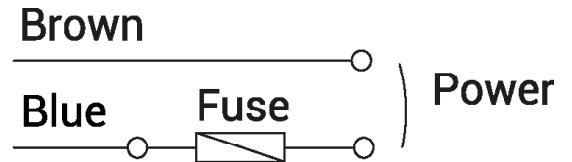
MODE button is placed in the main units control PCB which is one the right side. Button is white color

mode 1	20FPM (Default)
mode 2	40FPM
mode 3	60FPM
mode 4	Steady

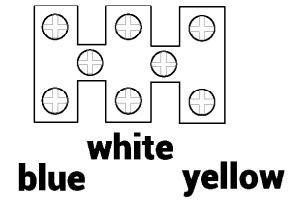
DIPSWITCH is placed in the main unit control PCB which is one the right side. DIPSWITCH is red color

DIPSWITCH	POSITION	ACTION
NO 12	00	Photosensor ON at Night(default)
NO 12	01	Photosensor ON at Day
NO 12	10	without photosensor
NO 3	0	GPS OFF
NO 3	1	GPS ON (optional)

### WIRING



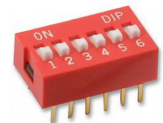
### NC COM NO



mode  
button



DIPSWITCH



backup

main unit

